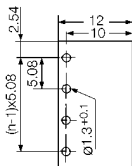
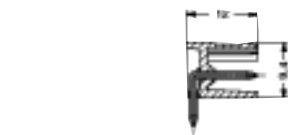
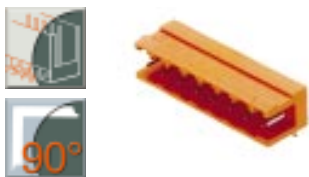


SLA/BLA - The Unimate Range



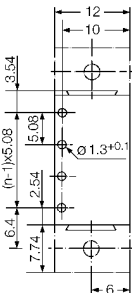
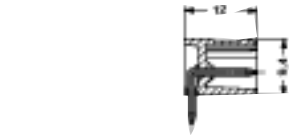
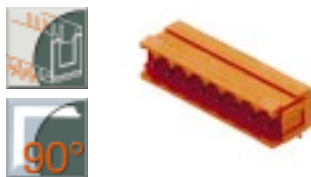
Pin headers SLA 90



Technical data		VDE	UL	CSA
Rated voltage	V*	250	300	300
Rated current	A	10	10	10

*Pollution severity 3 / Overvoltage category III
Additional technical data see page 216

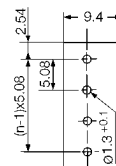
Pin headers SLA 90B



Technical data		VDE	UL	CSA
Rated voltage	V*	250	300	300
Rated current	A	10	10	10

*Pollution severity 3 / Overvoltage category III
Additional technical data see page 216

Pin headers SLA 180



Technical data		VDE	UL	CSA
Rated voltage	V*	250	300	300
Rated current	A	10	10	10

*Pollution severity 3 / Overvoltage category III
Additional technical data see page 216

Pin length **3.2 mm** **4.5 mm**

Colour

Poles	Type	Cat. No.	Cat. No.	Qty.
2	SLA 2/90	123806	134681	100
3	SLA 3/90	123816	134691	100
4	SLA 4/90	123826	134701	100
5	SLA 5/90	123836	134711	50
6	SLA 6/90	123846	134721	50
7	SLA 7/90	123856	134731	50
8	SLA 8/90	123866	134741	50
9	SLA 9/90	123876	134751	50
10	SLA 10/90	123886	134761	50
11	SLA 11/90	123896	134771	50
12	SLA 12/90	123906	134781	50
13	SLA 13/90	123916	134791	50
14	SLA 14/90	123926	134801	50
15	SLA 15/90	123936	134811	50
16	SLA 16/90	123946	134821	50
17	SLA 17/90	127176	134831	20
18	SLA 18/90	127186	134841	20
19	SLA 19/90	127196	134851	20
20	SLA 20/90	127206	134861	20
21	SLA 21/90	127216	134871	20
22	SLA 22/90	131596	134881	20
23	SLA 23/90	131606	134891	20
24	SLA 24/90	131616	134901	20

Accessories	Page
Fixing	-
Marking	180
Coding	183
Miscellaneous	188

Pin length **3.2 mm** **4.5 mm**

Colour

Poles	Type	Cat. No.	Cat. No.	Qty.
2	SLA 2/90B	124106	135141	100
3	SLA 3/90B	124116	135151	100
4	SLA 4/90B	124126	135161	100
5	SLA 5/90B	124136	135171	50
6	SLA 6/90B	124146	135181	50
7	SLA 7/90B	124156	135191	50
8	SLA 8/90B	124166	135201	50
9	SLA 9/90B	124176	135211	50
10	SLA 10/90B	124186	135221	50
11	SLA 11/90B	124196	135231	50
12	SLA 12/90B	124206	135241	50
13	SLA 13/90B	124216	135251	50
14	SLA 14/90B	124226	135261	50
15	SLA 15/90B	124236	135271	50
16	SLA 16/90B	124246	135281	50
17	SLA 17/90B	127026	135291	20
18	SLA 18/90B	127036	135301	20
19	SLA 19/90B	127046	135311	20
20	SLA 20/90B	127056	135321	20
21	SLA 21/90B	127066	135331	20
22	SLA 22/90B	131566	135341	20
23	SLA 23/90B	131576	135351	20
24	SLA 24/90B	131586	135361	20

Accessories	Page
Fixing	177
Marking	180
Coding	183
Miscellaneous	188

Pin length **3.2 mm** **4.5 mm**

Colour

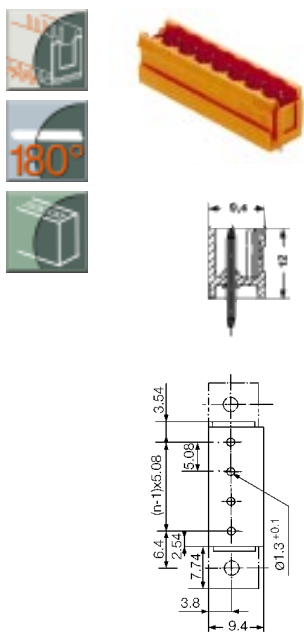
Poles	Type	Cat. No.	Cat. No.	Qty.
2	SLA 2/180	123956	134911	100
3	SLA 3/180	123966	134921	100
4	SLA 4/180	123976	134931	100
5	SLA 5/180	123986	134941	50
6	SLA 6/180	123996	134951	50
7	SLA 7/180	124006	134961	50
8	SLA 8/180	124016	134971	50
9	SLA 9/180	124026	134981	50
10	SLA 10/180	124036	134991	50
11	SLA 11/180	124046	135001	50
12	SLA 12/180	124056	135011	50
13	SLA 13/180	124066	135021	50
14	SLA 14/180	124076	135031	50
15	SLA 15/180	124086	135041	50
16	SLA 16/180	124096	135051	50
17	SLA 17/180	127126	135061	20
18	SLA 18/180	127136	135071	20
19	SLA 19/180	127146	135081	20
20	SLA 20/180	127156	135091	20
21	SLA 21/180	127166	135101	20
22	SLA 22/180	131506	135111	20
23	SLA 23/180	131516	135121	20
24	SLA 24/180	131526	135131	20

Accessories	Page
Fixing	-
Marking	180
Coding	183
Miscellaneous	-

SLA/BLA - The Unimate Range



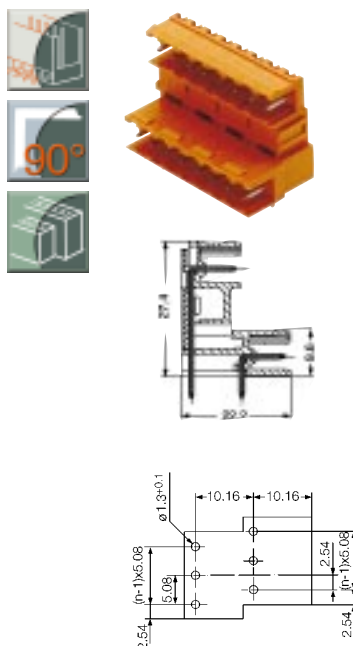
Pin headers SLA 180B



Technical data		VDE	UL	CSA
Rated voltage	V*	250	300	300
Rated current	A	10	10	10

*Pollution severity 3 / Overvoltage category III
Additional technical data see page 216

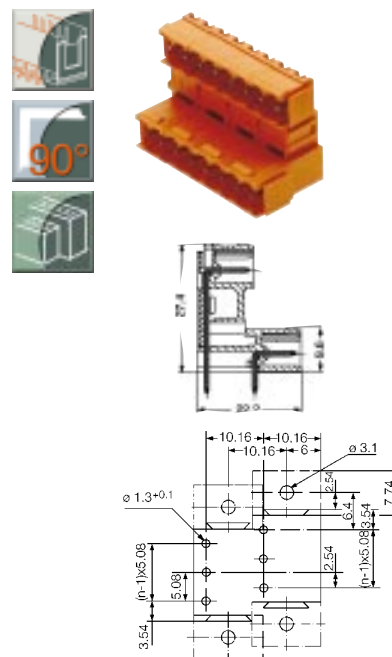
Pin headers SLAD 90



Technical data		VDE	UL	CSA
Rated voltage	V*	250	300	300
Rated current	A	8	10	7

*Pollution severity 3 / Overvoltage category III
Additional technical data see page 216

Pin headers SLAD 90B



Technical data		VDE	UL	CSA
Rated voltage	V*	250	300	300
Rated current	A	8	10	7

*Pollution severity 3 / Overvoltage category III
Additional technical data see page 216

Pin length	3.2 mm	4.5 mm			
Colour	●	●			
Poles	Type	Cat. No.	Cat. No.	Qty.	
2	SLA 2/180B	124256	135371	100	
3	SLA 3/180B	124266	135381	100	
4	SLA 4/180B	124276	135391	100	
5	SLA 5/180B	124286	135401	50	
6	SLA 6/180B	124296	135411	50	
7	SLA 7/180B	124306	135421	50	
8	SLA 8/180B	124316	135431	50	
9	SLA 9/180B	124326	135441	50	
10	SLA 10/180B	124336	135451	50	
11	SLA 11/180B	124346	135461	50	
12	SLA 12/180B	124356	135471	50	
13	SLA 13/180B	124366	135481	50	
14	SLA 14/180B	124376	135491	50	
15	SLA 15/180B	124386	135501	50	
16	SLA 16/180B	124396	135511	50	
17	SLA 17/180B	127076	135521	20	
18	SLA 18/180B	127086	135531	20	
19	SLA 19/180B	127096	135541	20	
20	SLA 20/180B	127106	135551	20	
21	SLA 21/180B	127116	135561	20	
22	SLA 22/180B	131536	135571	20	
23	SLA 23/180B	131546	135581	20	
24	SLA 24/180B	131556	135591	20	

Accessories	Page
Fixing	177
Marking	180
Coding	183
Miscellaneous	-

Pin length	3.2 mm	4.5 mm			
Colour	●	●			
Poles	Type	Cat. No.	Cat. No.	Qty.	
4	SLAD 4/90	132006	132161	50	
6	SLAD 6/90	132016	132171	50	
8	SLAD 8/90	132046	138551	50	
10	SLAD 10/90	132256	138561	50	
12	SLAD 12/90	132266	138571	50	
14	SLAD 14/90	132276	138581	50	
16	SLAD 16/90	132286	138591	20	
18	SLAD 18/90	132296	138601	20	
20	SLAD 20/90	132306	138611	20	
22	SLAD 22/90	132316	138621	10	
24	SLAD 24/90	132326	138631	10	
26	SLAD 26/90	132336	138641	10	
28	SLAD 28/90	132346	138651	10	
30	SLAD 30/90	132356	138661	10	
32	SLAD 32/90	132366	138671	10	
34	SLAD 34/90	132376	138681	10	
36	SLAD 36/90	132386	138691	10	
38	SLAD 38/90	132396	138701	10	
40	SLAD 40/90	132406	138711	10	
42	SLAD 42/90	132416	138721	10	
44	SLAD 44/90	132426	138731	10	
46	SLAD 46/90	132436	138741	10	
48	SLAD 48/90	132446	138751	10	

Accessories	Page
Fixing	178
Marking	180
Coding	182, 183
Miscellaneous	-

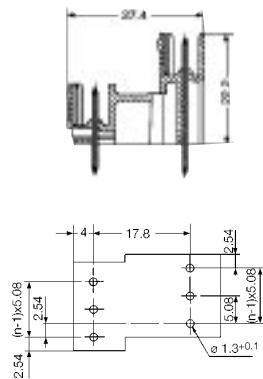
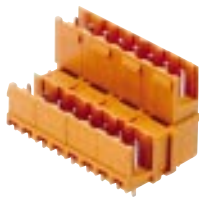
Pin length	3.2 mm	4.5 mm			
Colour	●	●			
Poles	Type	Cat. No.	Cat. No.	Qty.	
4	SLAD 4/90B	132066	132221	50	
6	SLAD 6/90B	132076	132231	50	
8	SLAD 8/90B	138856	138761	50	
10	SLAD 10/90B	138866	138771	50	
12	SLAD 12/90B	138876	138781	50	
14	SLAD 14/90B	138886	138791	50	
16	SLAD 16/90B	138896	138801	20	
18	SLAD 18/90B	138906	138811	20	
20	SLAD 20/90B	138916	138821	20	
22	SLAD 22/90B	138926	138831	10	
24	SLAD 24/90B	138936	138841	10	
26	SLAD 26/90B	139066	138941	10	
28	SLAD 28/90B	139076	138951	10	
30	SLAD 30/90B	139086	138961	10	
32	SLAD 32/90B	139096	138971	10	
34	SLAD 34/90B	139106	138981	10	
36	SLAD 36/90B	139116	138991	10	
38	SLAD 38/90B	139126	139001	10	
40	SLAD 40/90B	139136	139011	10	
42	SLAD 42/90B	139146	139021	10	
44	SLAD 44/90B	139156	139031	10	
46	SLAD 46/90B	139166	139041	10	
48	SLAD 48/90B	139176	139051	10	

Accessories	Page
Fixing	177
Marking	180
Coding	182, 183
Miscellaneous	-

SLA/BLA - The Unimate Range



Pin headers SLAD 180



Technical data		VDE	UL	CSA
Rated voltage	V*	250	300	300
Rated current	A	8	10	7

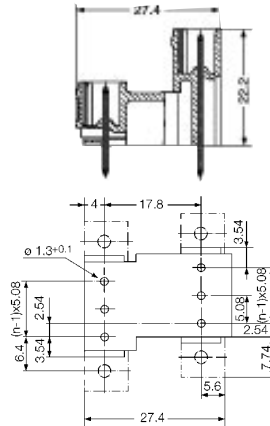
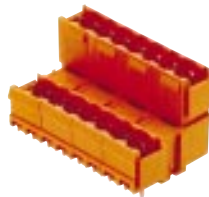
*Pollution severity 3 / Overvoltage category III
Additional technical data see page 216

Pin length **3.2 mm** **4.5 mm**

Poles	Type	Colour		Qty.
		●	●	
4	SLAD 4/180	132086	132241	50
6	SLAD 6/180	132096	132251	50
8	SLAD 8/180	137456	138341	50
10	SLAD 10/180	137466	138351	50
12	SLAD 12/180	137476	138361	50
14	SLAD 14/180	137486	138371	50
16	SLAD 16/180	137496	138381	20
18	SLAD 18/180	137506	138391	20
20	SLAD 20/180	137516	138401	20
22	SLAD 22/180	137526	138411	10
24	SLAD 24/180	137536	138421	10
26	SLAD 26/180	137546	138431	10
28	SLAD 28/180	137556	138441	10
30	SLAD 30/180	137566	138451	10
32	SLAD 32/180	137576	138461	10
34	SLAD 34/180	137586	138471	10
36	SLAD 36/180	137596	138481	10
38	SLAD 38/180	137606	138491	10
40	SLAD 40/180	137616	138501	10
42	SLAD 42/180	137626	138511	10
44	SLAD 44/180	137636	138521	10
46	SLAD 46/180	137646	138531	10
48	SLAD 48/180	137656	138541	10

Accessories	Page
Fixing	178
Marking	180
Coding	182, 183
Miscellaneous	-

Pin headers SLAD 180B



Technical data		VDE	UL	CSA
Rated voltage	V*	250	300	300
Rated current	A	8	10	7

*Pollution severity 3 / Overvoltage category III
Additional technical data see page 216

Pin length **3.2 mm** **4.5 mm**

Poles	Type	Colour		Qty.
		●	●	
4	SLAD 4/180B	132146	132301	50
6	SLAD 6/180B	132156	132311	50
8	SLAD 8/180B	139276	139181	50
10	SLAD 10/180B	139286	139191	50
12	SLAD 12/180B	139296	139201	50
14	SLAD 14/180B	139306	139211	50
16	SLAD 16/180B	139316	139221	20
18	SLAD 18/180B	139326	139231	20
20	SLAD 20/180B	139336	139241	20
22	SLAD 22/180B	139346	139251	10
24	SLAD 24/180B	139356	139261	10
26	SLAD 26/180B	139486	139361	10
28	SLAD 28/180B	139496	139371	10
30	SLAD 30/180B	139506	139381	10
32	SLAD 32/180B	139516	139391	10
34	SLAD 34/180B	139526	139401	10
36	SLAD 36/180B	139536	135411	10
38	SLAD 38/180B	139546	139421	10
40	SLAD 40/180B	139556	139431	10
42	SLAD 42/180B	139566	139441	10
44	SLAD 44/180B	139576	139451	10
46	SLAD 46/180B	139586	139461	10
48	SLAD 48/180B	139596	139471	10

Accessories	Page
Fixing	177
Marking	180
Coding	182, 183
Miscellaneous	-